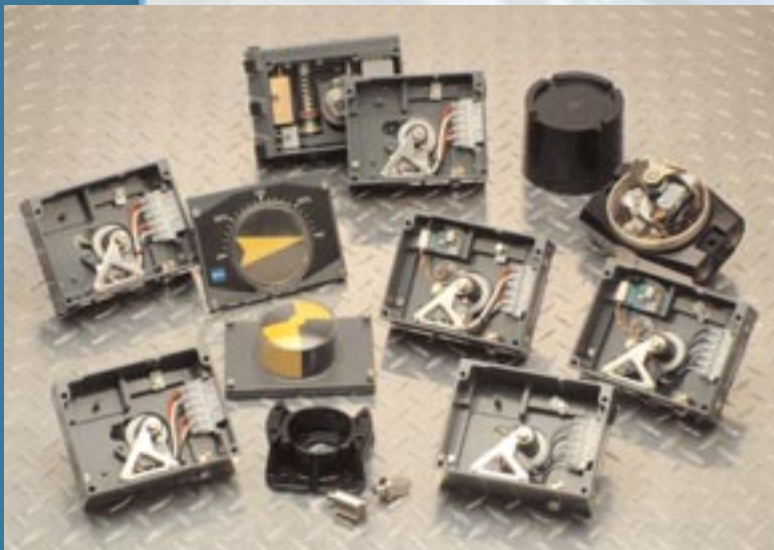




# BLX Feedback Module

## Dependable Products • Responsive Service



The BLX R100 (positioner mounting) and the R300 (stand alone) feedback modules allow for accurate position feedback, where on-off indication (mechanical switches) or 4-20mA transmitter or potentiometer is required. Feedback units can be factory or field mounted to the V100 positioner with no additional parts or mounting brackets required, thus creating a very compact package. Combinations of switches and transmitters or potentiometer are available. The positioner/switch package is completely sealed, and can be fitted with a flat or raised indicator. Spring-loaded switches and transmitter make calibration simple and quick.

### Specifications

- Output 4-20mA , 2 wire
- Voltage supply 10-30VDC
- Loop impedance: max 700ohms @ 24 VDC
- Temp. range -40°F to +185°F (-40°C to +85°C)
- Nonlinearity <1.5%
- Hysteresis <0.3%
- Temp. sensitivity <0.1% / 10°F(5.5°C)
- Enclosure NEMA 4X (IP66)
- Painting: Powder polyester.
- 2 Conduit connections 1/2" NPT
- Internal and external grounding points
- Bolt on to BLX V100 positioner without any mounting details.

### Settings on PC-board

- Jumper for Direct(CCW) or Reverse(CW) rotation.
- Jumper for 45 degree rotation.
- Span set potentiometer range from (90 deg)60-120 deg or (45 deg)25-60 deg)
- Zero fine set by means of set potentiometer +/-10%
- Zero coarse set by means of simple gear teeth adjustment
- Test pins for easy calibration in loop

*Electronics are short circuit protected.*

### Ordering Codes

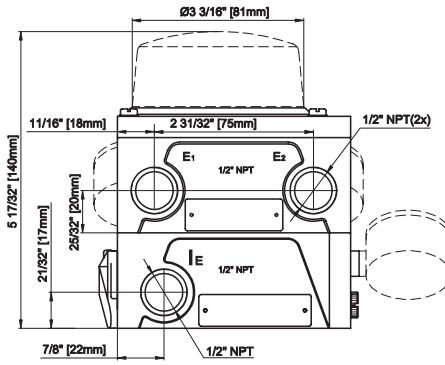
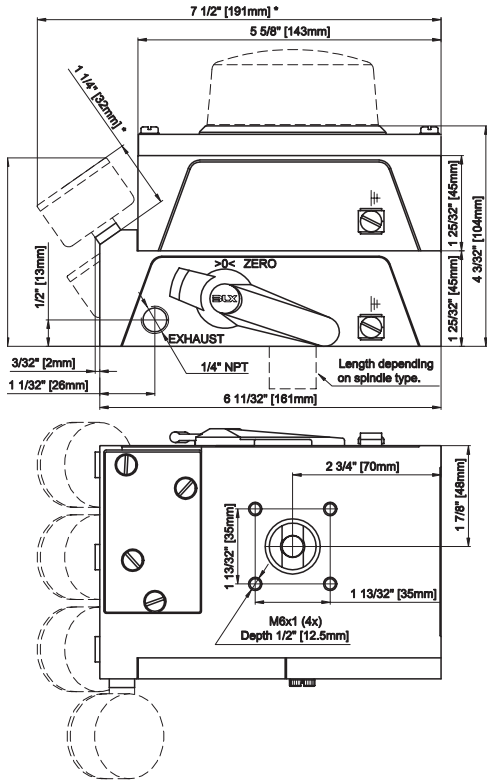
Type	Switch	Feedback	Front Cover(R300 only)	Indicator (R300 only)
R100-Feedback Module	M-Mechanical (2 spdt)	mA-4/20 mA	90-90 degree	A-Arrow
Positioner Mounted	R-Reed (2 spdt)	P1-1k Pot	60-60 degree	B-Raised Indicator
R300-Feedback Module	N-Namur	P5-5k Pot	45-45 degree	
Stand Alone			30-30 degree	

Available with switches only, transmitter or pot only, or combinations of switches and transmitter or switches and pot. R100 utilizes positioner front cover.

Example: R100-M-mA  
Feedback module with 2 mechanical switches, 4-20 mA transmitter.

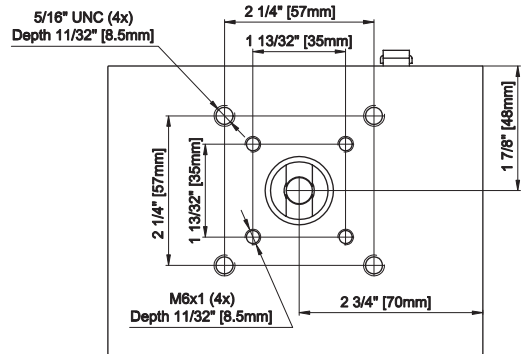
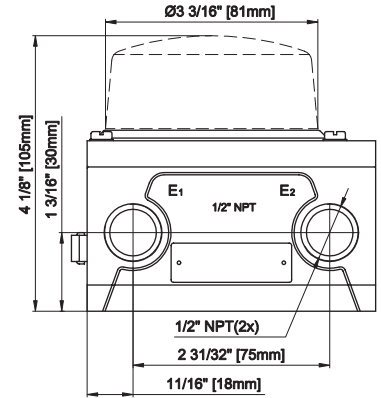
# R100

With V100 Series Positioner



# R300

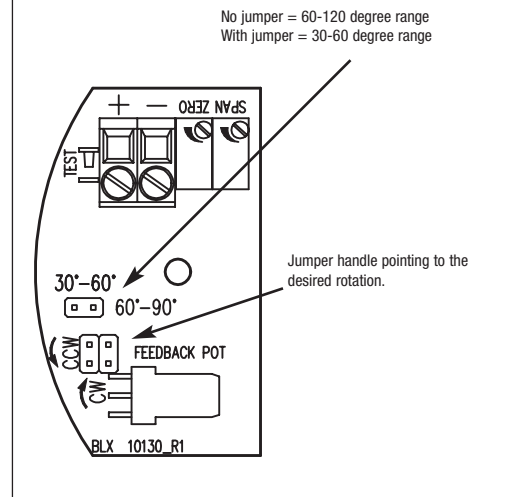
Stand Alone Unit



Marketed by VAC (Valve Accessories & Controls, LLC.), the BLX positioner line will be supported by a knowledgeable and professional staff. Customer service is a key component to the BLX/VAC package. Local inventories and technical assistance are just a phone call away.

The BLX product package will include a diverse mix of positioners, rack and pinion actuators, and feedback switches for positioner mounting and/or stand alone use, as well as an I/P transducer. Quality design and manufacturing will be coupled with very competitive pricing and excellent service, providing all process industries a "complete package".

## 4/20mA jumpers



Distributed by:



**VALVE ACCESSORIES & CONTROLS, LLC**  
 12585 Old Highway 280 East • Suite 101  
 Chelsea, AL 35043  
 TEL: 205-678-0507 • FAX: 205-678-0510  
 vacaccessories.com

*Calibration—simple and quick.*